



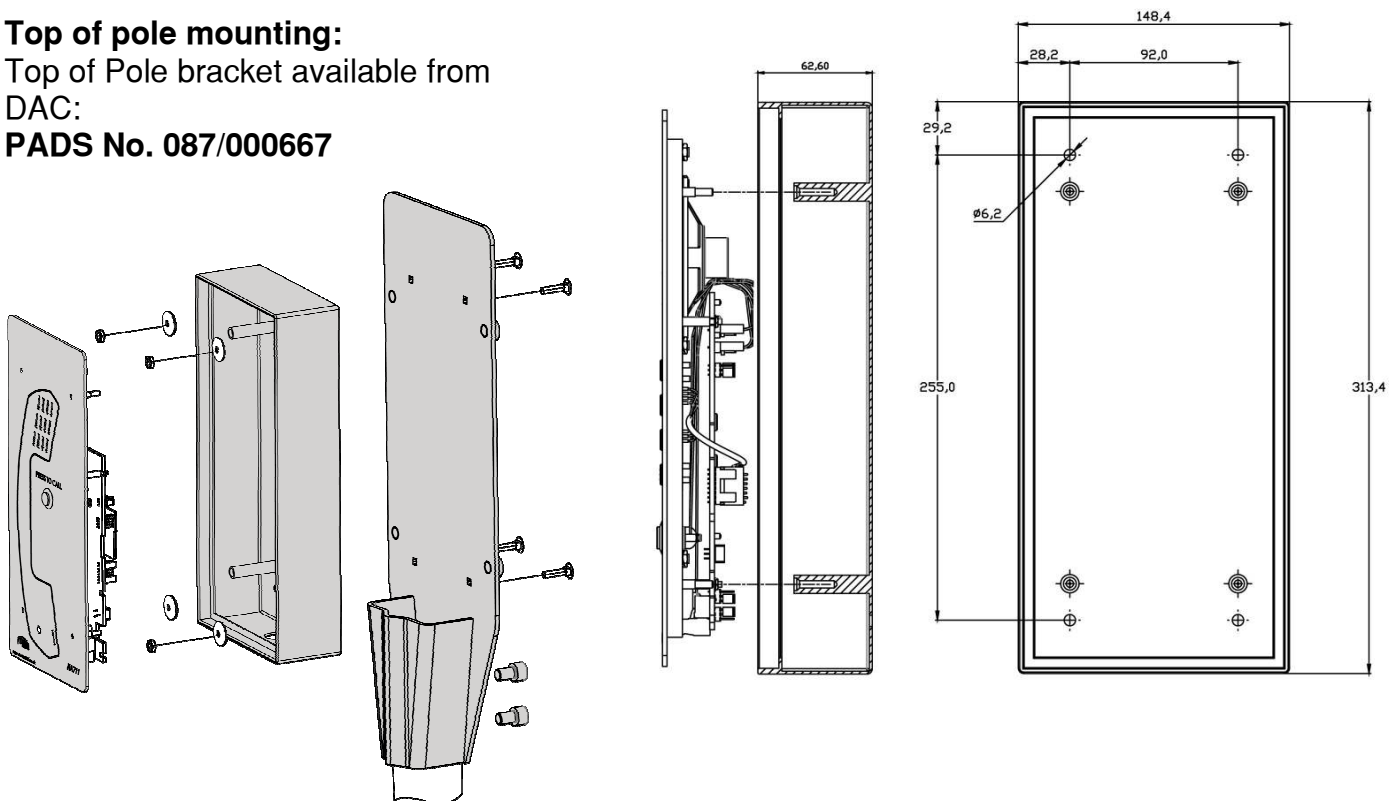
- For RA711 Series
- Network Rail acceptance
- Made of stainless steel
- Easy installation
- Robust construction
- CE compliant

Mounting options:

Top of pole mounting:

Top of Pole bracket available from
DAC:

PADS No. 087/000667



DAC Limited
Union Mill, Watt Street,
Sabden, United Kingdom
BB7 9ED

Tel. +44 (0) 1282 447000, Fax: +44 (0) 845 280 1915
www.daclimited.co.uk